

Spec Sheet



T1510 ADVANCED SERIES METAL PUMP



PUMP DATA

Specifications:

- Height: 754 mm (29.7")
- Width: 874 mm (34.4")
- Depth: 427 mm (16.8")
- Air Inlet: 19 mm (3/4")
- Liquid Inlet: 76 mm (3")
- Liquid Outlet: 76 mm (3")

Wetted Material:

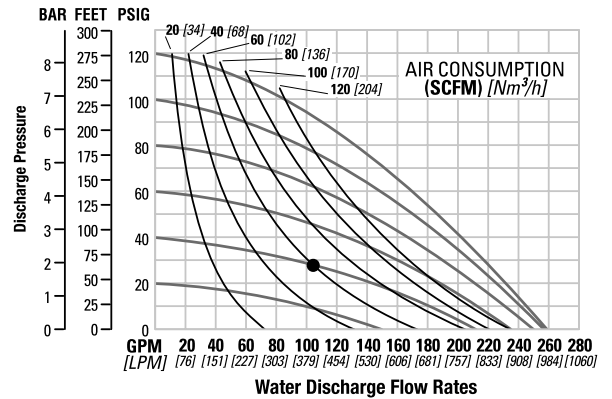
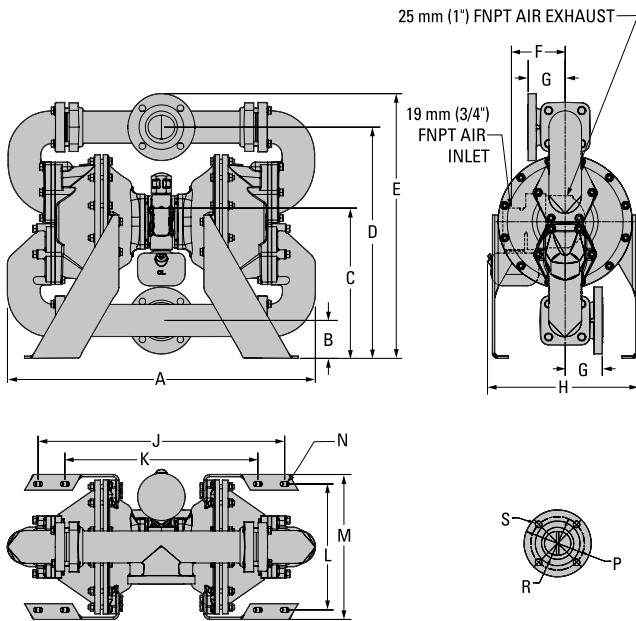
- Aluminum: 84 kg (185 lbs)
- Ductile Iron: 162 kg (357 lbs)

Temperature Limits:

- Nylon -17.8°C to 93.3°C 0°F to 200°F
- Neoprene -17.8°C to 93.3°C 0°F to 200°F
- Buna-N -12.2°C to 82.2°C 10°F to 180°F
- Norde® -51.1°C to 137.8°C -60°F to 280°F
- Viton® -40°C to 176.7°C -40°F to 350°F
- Wil-Flex™ -40°C to 107.2°C -40°F to 225°F
- Polyurethane 12.2°C to 65.6°C 10°F to 150°F
- Saniflex™ -28.9°C to 104.4°C -20°F to 220°F
- PTFE -28.9°C to 148.9°C -20°F to 300°F

PERFORMANCE

- Max. Flow: 997 lpm (258 gpm)
- Max. Pressure: 8.6 bar (125 psig)
- Max. Solids Passage: 76 mm (3")
- Max. Suction Lift (wet): 9.3 m (30.6')
- (dry): 7.4 m (24.4')



ITEM	METRIC (mm)	STANDARD (inch)	ITEM	METRIC (mm)	STANDARD (inch)
A	874	34.4	M	411	16.2
B	107	4.2	N	8	0.3
C	427	16.8		DIN (mm)	ANSI (inch)
D	658	25.9	P	200 DIA.	7.5 DIA.
E	754	29.7	R	160 DIA.	6.0 DIA.
F	155	6.1	S	18 DIA.	0.8 DIA.
G	104	4.1			
H	427	16.8			
J	699	27.5			
K	546	21.5			
L	358	14.1			