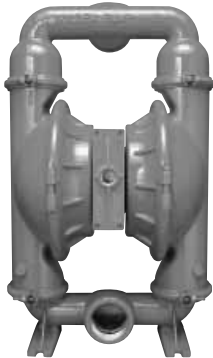


Spec Sheet

PROFLO V[™]
ADVANCED DIAPHRAGM TECHNOLOGY

PV15 ORIGINAL[™] METAL PUMP

76 mm (3") Pump
Maximum Flow Rate:
909 LPM (240 GPM)



PUMP DATA

Specifications:

- Height: 823 mm (32.4")
- Width: 505 mm (19.9")
- Depth: 427 mm (16.8")
- Air Inlet: 19 mm (3/4" FNPT)
- Liquid Inlet: 76 mm (3")
- Liquid Outlet: 76 mm (3")

Wetted Material:

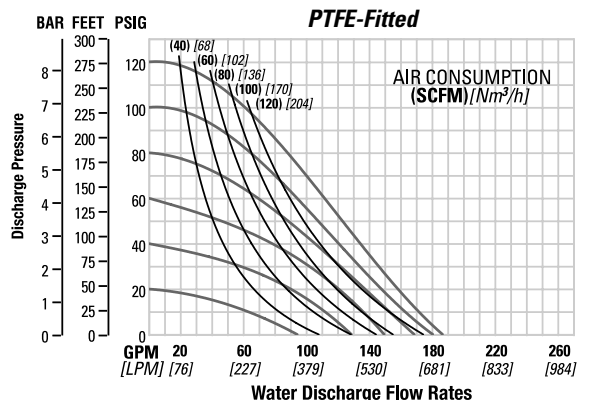
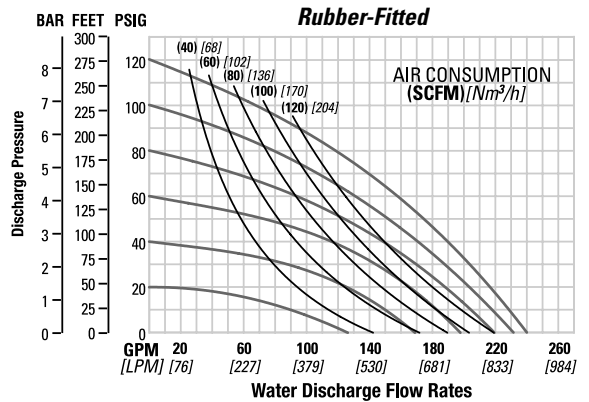
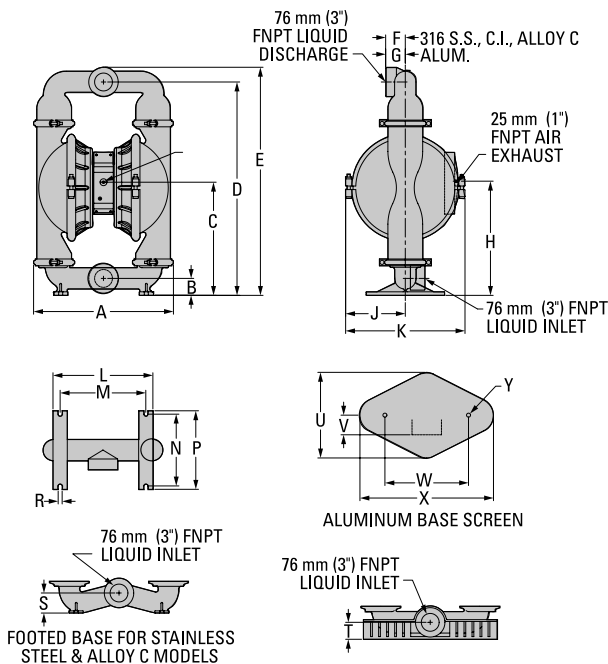
- Alloy C: 107 kg (235 lbs)
- Aluminum: 55 kg (121 lbs)
- Cast Iron: 93 kg (205 lbs)
- Stainless Steel: 85 kg (187 lbs)

Temperature Limits:

- Nylon -17.8°C to 93.3°C 0°F to 200°F
- Neoprene -17.8°C to 93.3°C 0°F to 200°F
- Buna-N -12.2°C to 82.2°C 10°F to 180°F
- Nordel[®] -51.1°C to 137.8°C -60°F to 280°F
- Viton[®] -40°C to 176.7°C -40°F to 350°F
- Wil-Flex[™] -40°C to 107.2°C -40°F to 225°F
- Polyurethane 12.2°C to 65.6°C 10°F to 150°F
- Saniflex[™] -28.9°C to 104.4°C -20°F to 220°F
- PTFE -28.9°C to 148.9°C -20°F to 300°F

PERFORMANCE

- Max. Flow: Rubber/TPE 909 lpm (240 gpm)
PTFE 704 lpm (186 gpm)
- Max. Pressure: 8.6 bar (125 psig)
- Max. Solids Passage: 9.5 mm (3/8")
- Max. Suction Lift (wet): Rubber/TPE 9.5 m (31.2")
PTFE 9.5 m (31.2")
(dry): Rubber/TPE 7.6 m (25.0")
PTFE 5.0 m (16.5")



ITEM	METRIC (mm)	STANDARD (inch)	ITEM	METRIC (mm)	STANDARD (inch)
A	505	19.9	M	307	12.1
B	58	2.3	N	257	10.1
C	386	15.2	P	282	11.1
D	762	30.0	R	15	0.6
E	823	32.4	S	71	2.8
F	71	2.8	T	66	2.6
G	84	3.3	U	305	12.0
H	389	15.3	V	43	1.7
J	216	8.5	W	305	12.0
K	406	16.0	X	478	18.8
L	363	14.3	Y	15 DIA.	.6 DIA.