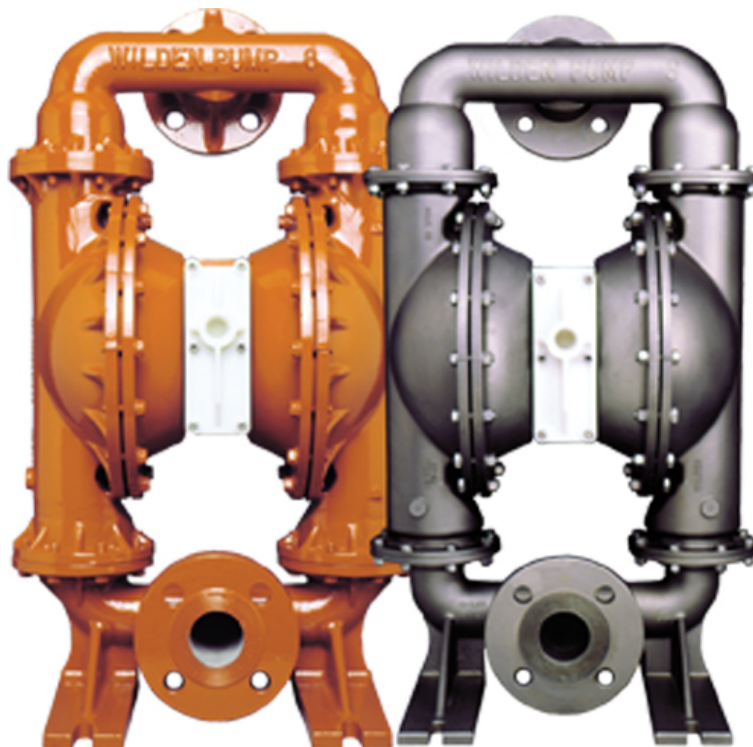


WILDEN®

A DOVER COMPANY



PROFLO
PROGRESSIVE PUMP TECHNOLOGY

P800 ADVANCED™ ALUMINUM PUMP

FLOW RATE TO (156 GPM)
MAX PRESSURE = 8.6 BAR (125 PSI)

WETTED HOUSINGS
(Water Chambers and Manifolds)
Material Ship Wt
Aluminum 25 kg (79 lbs)
Hastelloy (190 lbs)
Stainless Steel (175 lbs)

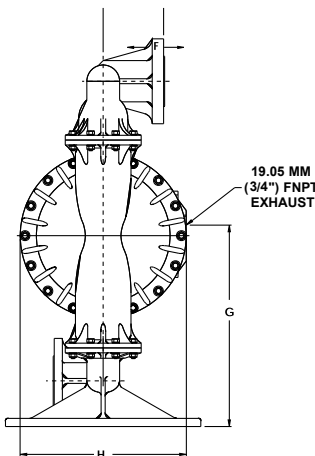
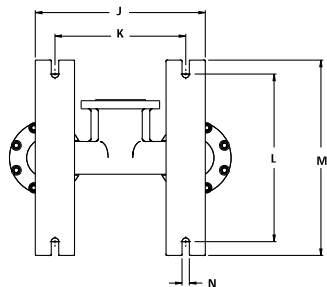
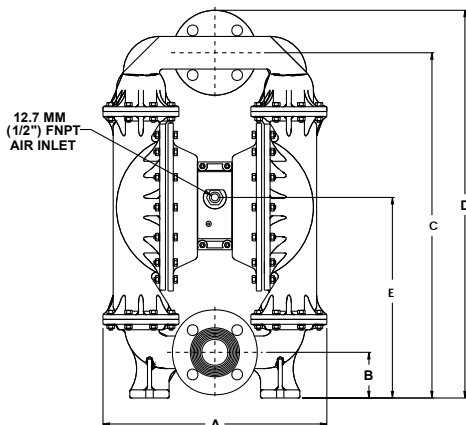
NON-WETTED HOUSINGS
Description Material
Center Block Polypropylene
Air Chambers Aluminum, Teflon®-coated
316 Stainless Steel
Air Valve Polypropylene

MAXIMUM SUCTION LIFT CAPABILITY
7.01m (23' Dry)

MAXIMUM DIAMETER SOLIDS
1/4"

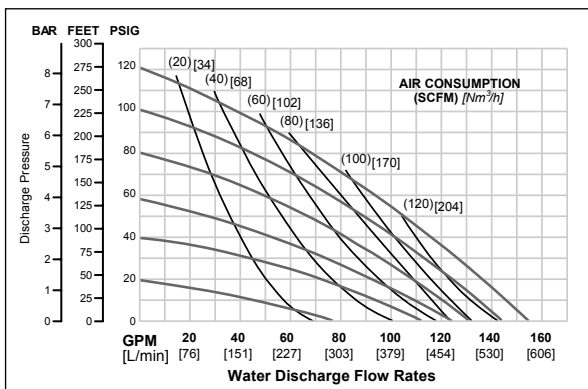
ELASTOMER OPTIONS
Material Temperature Limits
Buna-N® -12.2 (+10) to +65.6 (+150) °C (F°)
Neoprene -17.8 (+0) to +93.3 (+200) °C (F°)
Nordel® -51.1 (-60) to +137.8 (+280) °C (F°)
Polyurethane -12.2 (+10) to +65.6 (+150) °C (F°)
Saniflex™ -28.9 (+20) to +104.4 (+220) °C (F°)
Teflon® PTFE +4.4 (+40) to +104.4 (+220) °C (F°)
Viton® -40 (-40) to +176.7 (+350) °C (F°)
Wil-Flex™ -40 (-40) to +107.2 (+225) °C (F°)

P800 Advanced Metal Pump		
ALUMINUM		
ITEM	METRIC (mm)	STANDARD (inch)
A	439.7	17 5/16
B	88.9	3 1/2
C	676.3	26 5/8
D	758.8	29 7/8
E	395.3	15 9/16
F	117.5	4 5/8
G	396.9	15 5/8
H	323.9	12 3/4
J	330.2	13
K	254.0	10
L	325.4	12 13/16
M	379.4	14 15/16
N	14.3	9/16
	DIN (mm)	ANSI (inch)
	DN 50	150#
P	165.1 DIA.	6 1/2 DIA.
R	122.2 DIA.	4 13/16 DIA.
S	20.6 DIA.	13/16 DIA.



FLANGE DETAIL
ANSI/DIN COMBO FLANGE

RUBBER/TPE-FITTED P800 PUMP



TEFLON®-FITTED P800 PUMP

