

Spec Sheet



**H800 HIGH PRESSURE METAL PUMP**

**51 mm (2") Pump**  
**Maximum Flow Rate:**  
**360 LPM (95 GPM)**



**PUMP DATA**

**Specifications:**

- Height: 759 mm (29.9")
- Width: 490 mm (19.3")
- Depth: 546 mm (21.5")
- Air Inlet: 19 mm (3/4" FNPT)
- Liquid Inlet: 51 mm (2")
- Liquid Outlet: 51 mm (2")

**Wetted Material:**

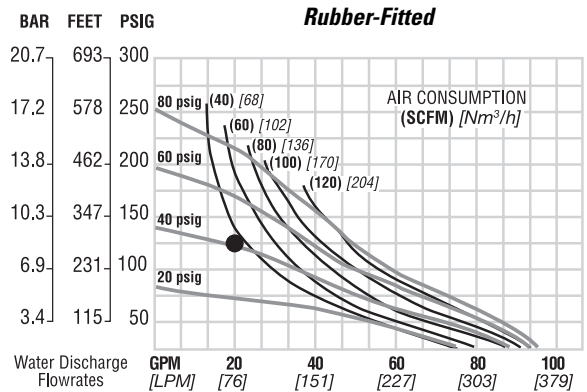
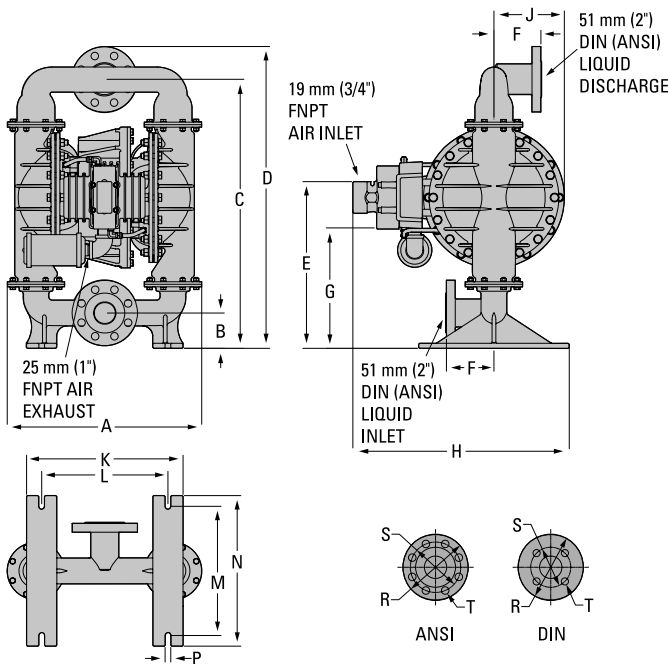
- 316L Stainless Steel: 183 kg (283 lbs)
- Ductile Iron: 183 kg (283 lbs)

**Temperature Limits:**

- Nylon -17.8°C to 93.3°C 0°F to 200°F
- Neoprene -17.8°C to 93.3°C 0°F to 200°F
- Buna-N -12.2°C to 82.2°C 10°F to 180°F
- Nordel<sup>®</sup> -51.1°C to 137.8°C -60°F to 280°F
- Viton<sup>®</sup> -40°C to 176.7°C -40°F to 350°F
- Wil-Flex<sup>™</sup> -40°C to 107.2°C -40°F to 225°F
- Polyurethane -12.2°C to 65.6°C 10°F to 150°F
- Saniflex<sup>™</sup> -28.9°C to 104.4°C -20°F to 220°F
- PTFE -28.9°C to 148.9°C -20°F to 300°F

**PERFORMANCE**

- Max. Flow: TPE 360 lpm (95 gpm)
- Max. Pressure: 5.9 bar (85 psig)
- Max. Solids Passage: 12.7 mm (1/2")
- Max. Suction Lift (wet): TPE 9.0 m (29.5')
- (dry): TPE 3.7 m (12.0')



| ITEM | METRIC (mm) | STANDARD (inch) | ITEM | METRIC (mm)     | STANDARD (inch)    |
|------|-------------|-----------------|------|-----------------|--------------------|
| A    | 490         | 19.3            | K    | 394             | 15.5               |
| B    | 89          | 3.5             | L    | 318             | 12.5               |
| C    | 678         | 26.7            | M    | 325             | 12.8               |
| D    | 759         | 29.9            | N    | 378             | 14.9               |
| E    | 419         | 16.5            | P    | 15              | 0.6                |
| F    | 119         | 4.7             |      | <b>DIN (mm)</b> | <b>ANSI (inch)</b> |
| G    | 302         | 11.9            | R    | 165 DIA.        | 6.58 DIA.          |
| H    | 546         | 21.5            | S    | 125 DIA.        | 5.0 DIA.           |
| J    | 178         | 7.0             | T    | 18 DIA.         | 0.8 DIA.           |