

Spec Sheet

PROFLO V[™]
PROGRESSIVE PUMP TECHNOLOGY

PV810 ADVANCED SERIES METAL PUMP

51 mm (2") Pump
Maximum Flow Rate:
655 LPM (173 GPM)



PUMP DATA

Specifications:

Height: 504 mm (20.0")
Width: 554 mm (21.8")
Depth: 386 mm (15.1")
Air Inlet: 19 mm (3/4")
Liquid Inlet: 51 mm (2")
Liquid Outlet: 51 mm (2")

Wetted Material:

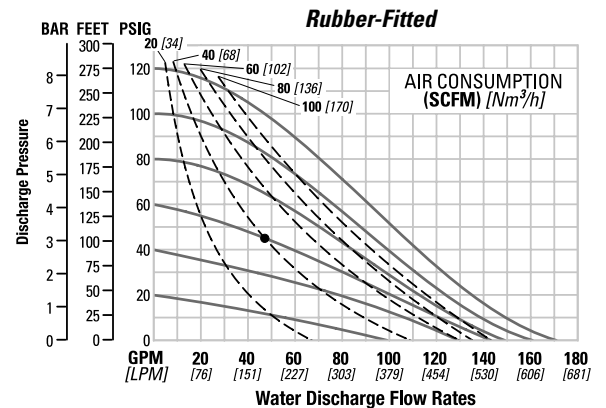
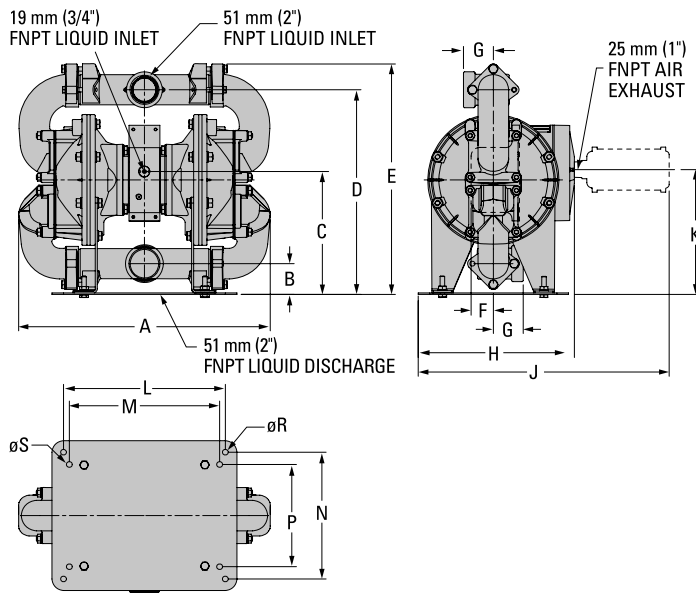
Aluminum: 37 kg (81 lbs)
Ductile Iron: 57 kg (125 lbs)

Temperature Limits:

Nylon -17.8°C to 93.3°C 0°F to 200°F
Neoprene -17.8°C to 93.3°C 0°F to 200°F
Buna-N -12.2°C to 82.2°C 10°F to 180°F
Nordel[®] -51.1°C to 137.8°C -60°F to 280°F
Viton[®] -40°C to 176.7°C -40°F to 350°F
Wil-Flex[™] -40°C to 107.2°C -40°F to 225°F
Polyurethane 12.2°C to 65.6°C 10°F to 150°F
Saniflex[™] -28.9°C to 104.4°C -20°F to 220°F
PTFE -28.9°C to 148.9°C -20°F to 300°F

PERFORMANCE

Max. Flow: 655 lpm (173 gpm)
Max. Pressure: 8.6 bar (125 psig)
Max. Solids Passage: 51 mm (2")
Max. Suction Lift (wet): 9.3 m (30.6')
(dry): 7.6 m (25.0')



ITEM	METRIC (mm)	STANDARD (inch)	ITEM	METRIC (mm)	STANDARD (inch)
A	554	21.8	J	551	21.7
B	69	2.8	K	274	10.8
C	272	10.7	L	356	14.0
D	452	17.8	M	330	13.0
E	508	20.0	N	279	11.0
F	48	1.9	P	226	8.9
G	66	2.6	R	13	0.5
H	343	13.5	S	13	0.5