

# LSH Conversion Kit

Pump Retro-Fit

# EOM

Engineering  
Operation &  
Maintenance



Refine your process



**SANIFLO™ LSH**  
SANITARY PUMP TECHNOLOGY

# WILDEN®

A **DOVER** COMPANY



WIL-12080-E-02  
REPLACES WIL-12080-E-01



## INSTALLATION



### Step 1

Before initiating the installation process, the Murzan center section and wetted path must be removed from the pump stand.



### Step 2

Using a 9/16" box end wrench, remove the bolts holding the Murzan center section to the Murzan stand. Remove Murzan center section and replace with Wilden center section using Wilden center section fasteners. See exploded view.



### Step 3

Using the same 9/16" box end wrench, install the LSH Conversion Kit onto the Murzan stand.



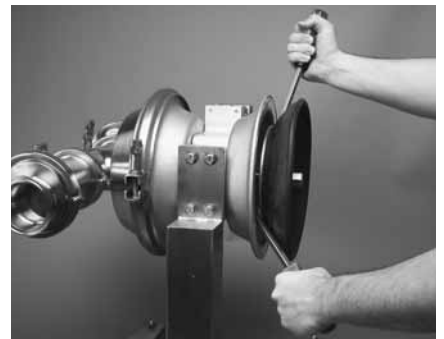
### Step 4

Using 2 adjustable wrenches, ensure outer pistons are secure. Note: Torque should not exceed 105.3 N•m (78 ft-lbs).



### Step 5

Install liquid chamber assembly on center section.



### Step 6

Next, position two flathead screwdrivers on backside of inner piston, adjacent from previously installed liquid chamber assembly. Using the two screwdrivers, push towards center of pump, maneuvering shaft assembly outward.



### Step 7

After maneuvering shaft assembly outward, conform diaphragm bead onto diaphragm bead groove located at outer edge of air chamber to ensure proper seal.



### Step 8

Next, install the other liquid chamber assembly (includes check valves) and secure with clamp band.



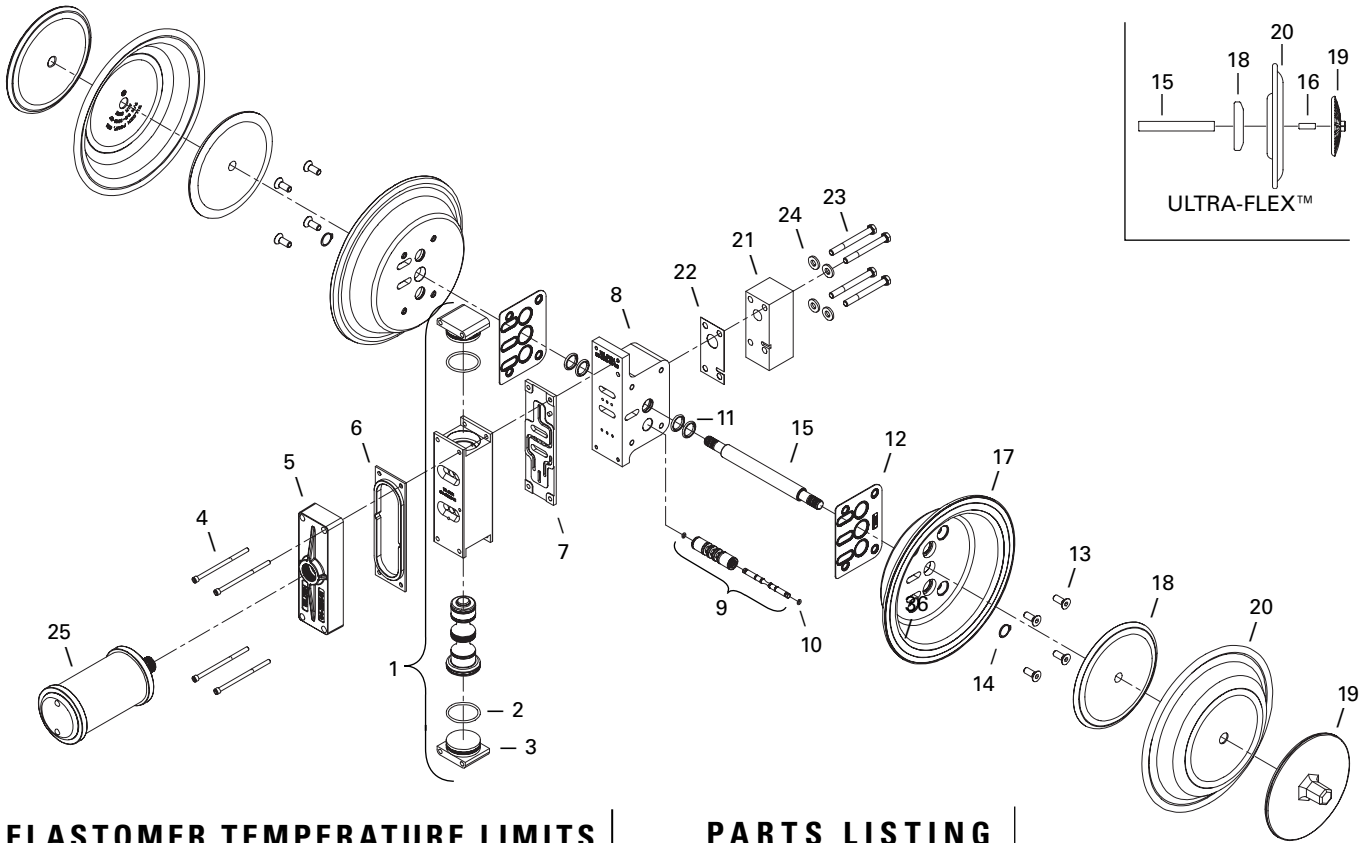
### Step 9

With the installation process complete, the pump fitted with the LSH Conversion Kit is ready to be placed into the application.

**PUMP CROSS SECTION & PARTS LISTING**

**LSH Conversion Kit**

**EXPLODED VIEW**



**ELASTOMER TEMPERATURE LIMITS**

FDA Buna-N	-12.2°C to 82.2°C	10°F to 180°F
FDA EPDM	-51.1°C to 137.8°C	-60°F to 280°F
FDA Wil-Flex™	-40°C to 107.2°C	-40°F to 225°F
Saniflex™	-28.9°C to 104.4°C	-20°F to 220°F

**ELASTOMER OPTIONS**

MATERIAL	DIAPHRAGM
Saniflex™	08-1010-56
FDA Wil-Flex™	08-1010-57
FDA Buna-N	08-1010-69
FDA EPDM	08-1010-74
FDA Buna-N, Ultra-Flex™	08-1020-52
FDA EPDM, Ultra-Flex™	08-1020-54

**PARTS LISTING**

No.	Part Description	Qty.	Nickel Plated
1	Air Valve, Pro-Flo V™, Nickel Plated	1	04-2030-06
2	O-ring, End Cap (-225) Buna	2	04-2390-52-700
3	End Cap, Pro-Flo V™, Nickel Plated	2	04-2340-06
4	Screw, SHC, 1/4-20 X 4.5"	4	01-6000-03
5	Muffer Plate, Pro-Flo V™, Nickel Plated	1	04-3185-06
6	Gasket, Muffer Plate	1	04-3502-52
7	Gasket, Air Valve	1	04-2620-52
8	Center Block, Pro-Flo V™, LSH, Nickel Plated	1	08-3120-06-83
9	Removable Pilot Sleeve Assembly	1	04-3880-99
10	Pilot Spool Retaining O-ring	2	04-2650-49-700
11	Shaft Seal	4	08-3210-55-225
12	Gasket, Center Block	2	08-3529-52-83
13	Screw, HSFHS, 3/8-16 X 1.0"	8	71-6250-08
14	Retaining Ring	2	04-3890-03
15	Shaft	1	08-3810-03-83
	Shaft, Ultra-Flex™	1	08-3841-03
16	Shaft Stud (Ultra-Flex™ only)	2	08-6150-08
17	Air Chamber, Pro-Flo V™, Nickel Plated	2	08-3660-06-83
18	Inner Piston	2	08-3700-01
	Inner Piston, Ultra-Flex™	2	08-3761-01
19	Outer Piston	2	08-4550-10-72
	Outer Piston, Ultra-Flex™	2	08-4560-10-83
20	Diaphragm	2	*
21	Adapter Block	1	08-3545-03-83
22	Gasket, Adapter Block	1	08-3535-52-83
23	Screw, HHCS, 3/8-16 X 3-1/2	4	04-6191-03
24	Washer, Flat (.406 X .875 X .125)	4	04-6741-03
25	Sanitary Muffer	1	15-3510-06R
	LSH Assembly Tool Kit (not shown)	1	15-8983-99

All boldface items are primary wear parts.  
\* Refer to Elastomer Chart for Diaphragm Options.



22069 Van Buren St., Grand Terrace, CA 92313-5607  
Telephone (909) 422-1730 • Fax (909) 783-3440 • www.wildenpump.com

Your local authorized distributor: