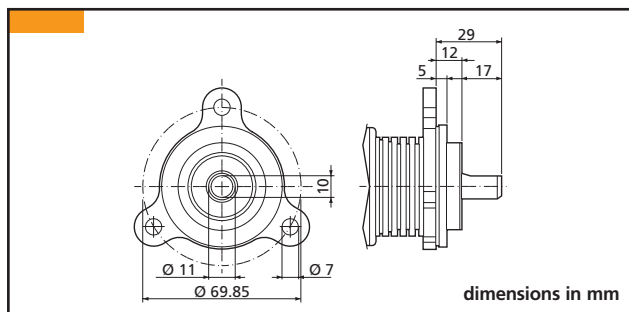
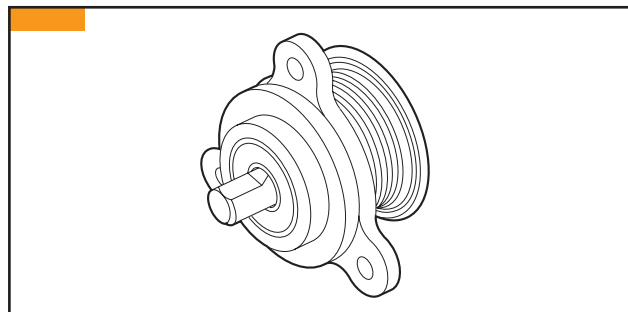


Fluid-o-Tech Rotary Vane Pumps Optional Mountings

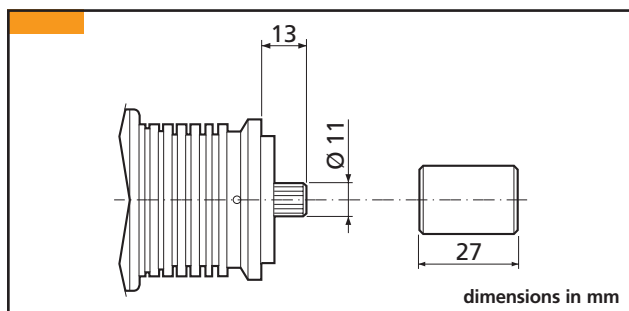
(PO...F) Series



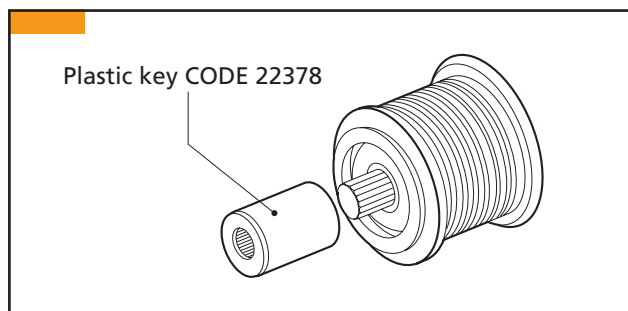
Flange Mounting



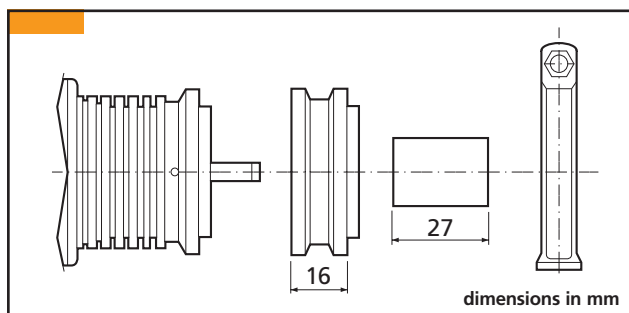
(PR...) Series



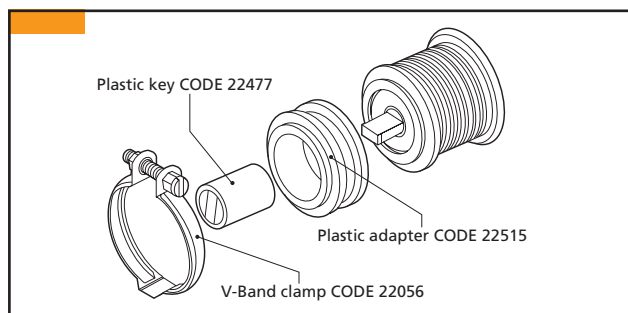
Splined Shaft with Coupling



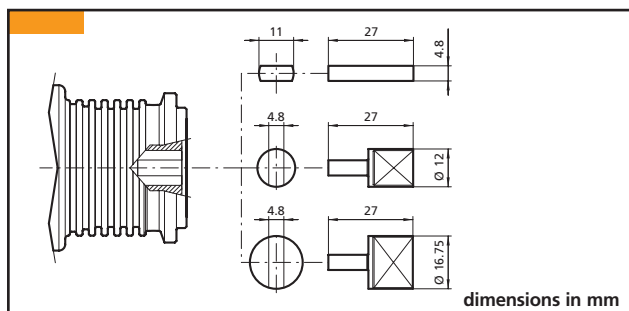
(PO...) Series



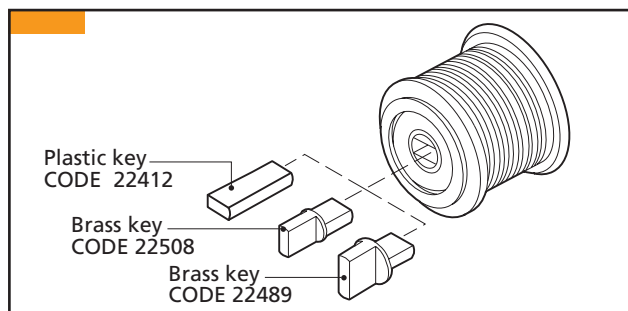
Dumper Coupling



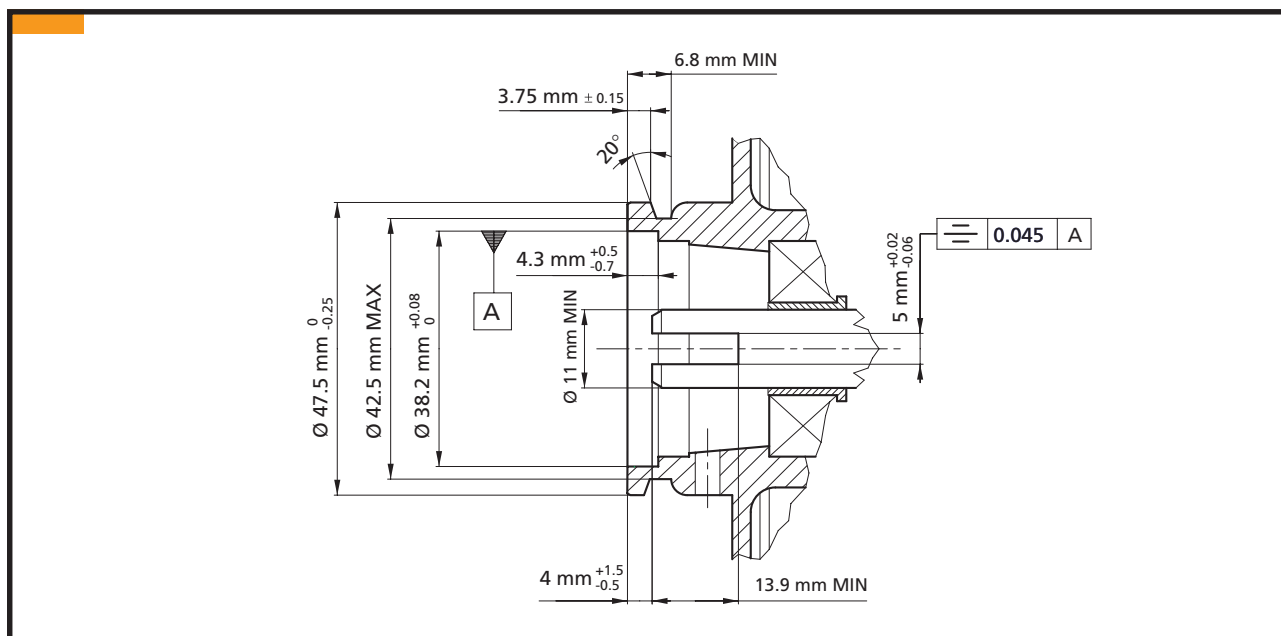
(PO...A) Series



Female Shaft with Coupling



Mounting the pump onto the motor



Notes: The drawing illustrates the minimum dimensional requirement of the motor in order to grant the proper alignment between pump and motor.
Tool AP... is available upon request to verify the compliance of the motor to the A.M. requirements.